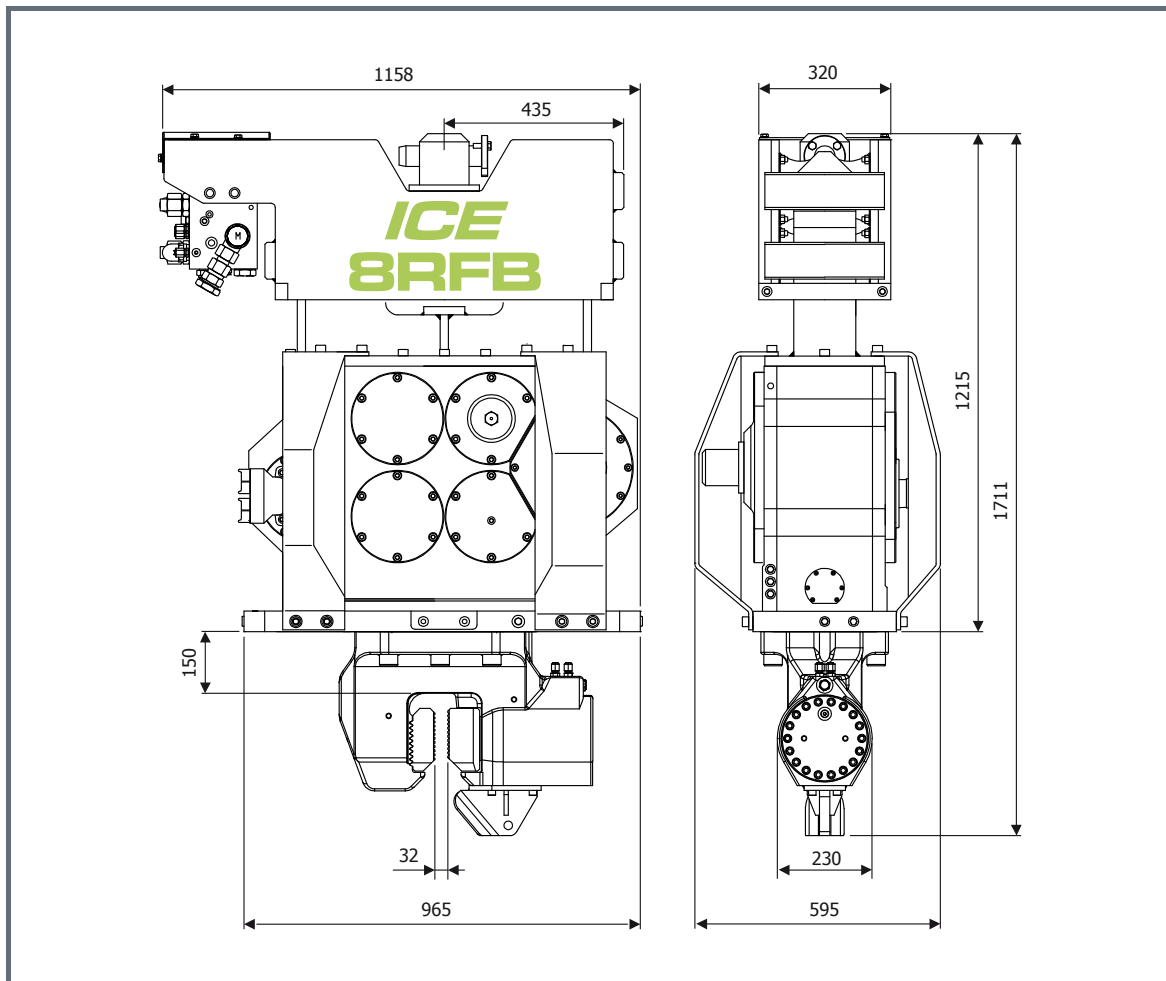


► ICE Baggeranbau Vibratoren / Excavator mounted Vibrators

■ ICE 8 RFB



Specifications		8RFB		Clamps:	
Eccentric moment	0 – 7.5	kgm		Sheet pile clamp	60TU
Max. centrifugal force	0 – 435	kN		Transport weight per piece	250 kg
Max. frequency	2300	rpm			
Max. amplitude excluding 60TU	15.2	mm			
Max. amplitude including 60TU	12.1	mm			
Max. static line-pull	120	kN			
Max. hydraulic power	108/147	kW/HP			
Max. operating pressure	350	bar			
Max. oil flow	185	l/min			
Forced lubrication	Yes				
Dynamic weight excluding 60TU	985	kg			
Dynamic weight including 60TU	1235	kg			
Total weight including 60TU	1515	kg			