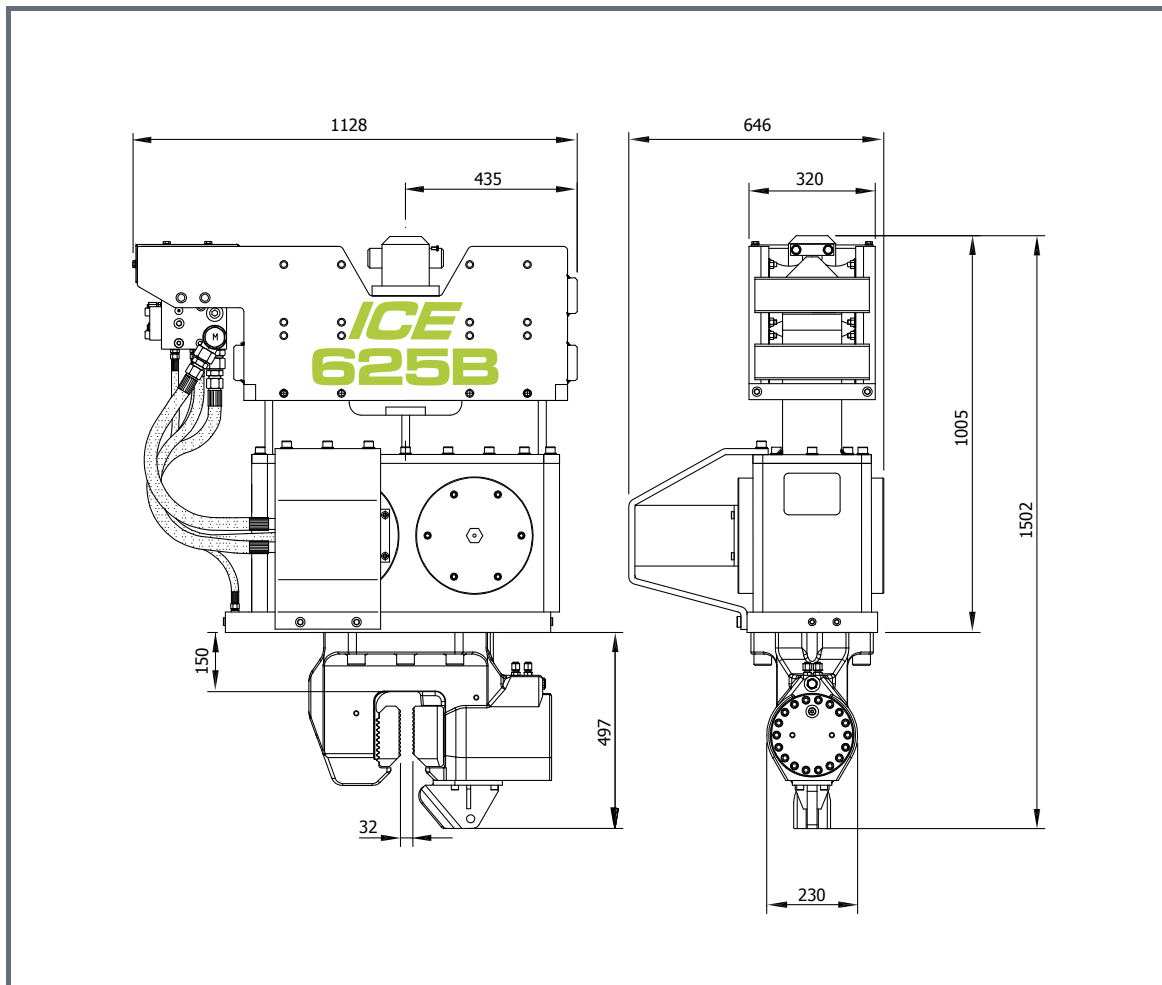


## ► ICE Baggeranbau Vibratoren / Excavator mounted Vibrators

### ■ ICE 625 B



Specifications	625B		Clamps:	
Eccentric moment	6.0	kgm	Sheet pile clamp	60TU
Max. centrifugal force	411	kN	Transport weight per piece	250 kg
Max. frequency	2500	rpm		
Max. amplitude excluding 60TU	18.2	mm		
Max. amplitude including 60TU	13.2	mm		
Max. static line-pull	120	kN		
Max hydraulic power	117/159	kW/HP		
Max. operating pressure	350	bar		
Max. oil flow	201	l/min		
Forced lubrication	no			
Dynamic weight excluding 60TU	660	kg		
Dynamic weight including 60TU	910	kg		
Total weight including 60TU	1290	kg		