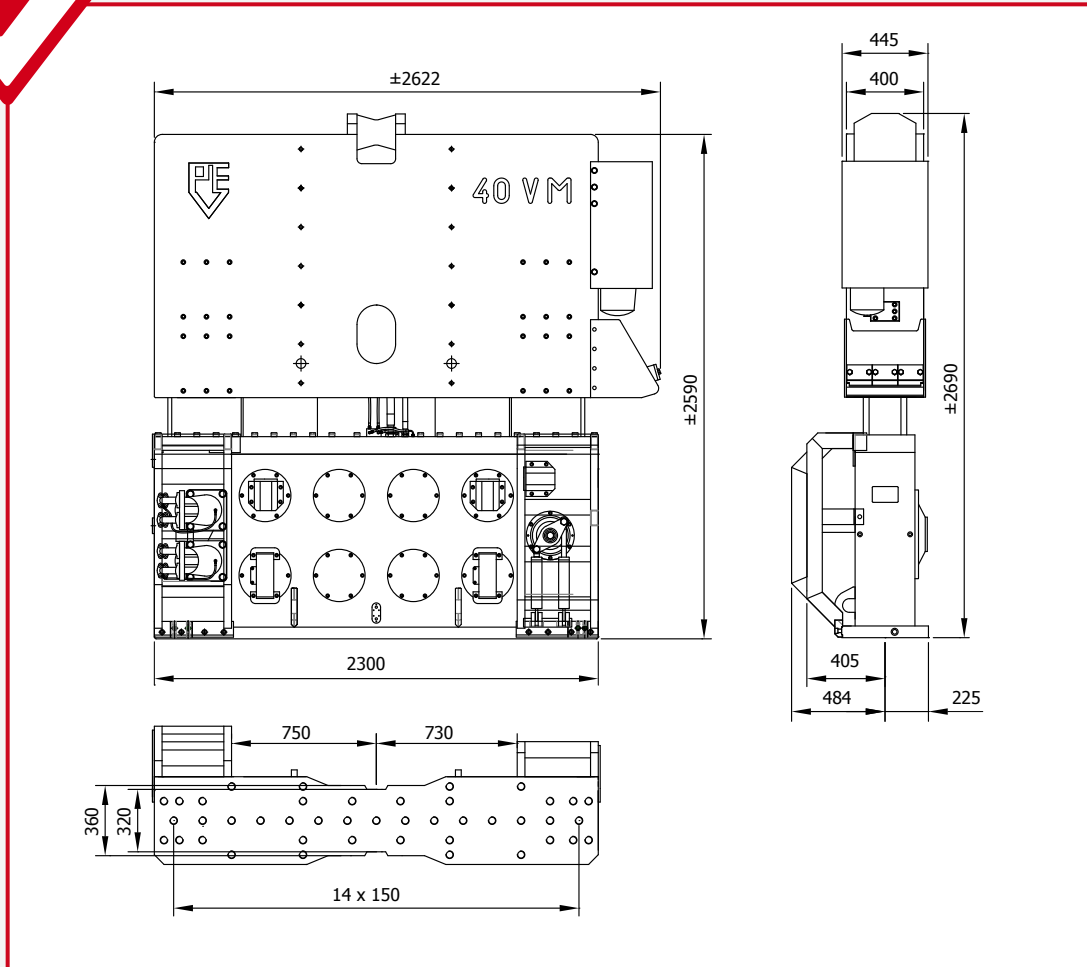




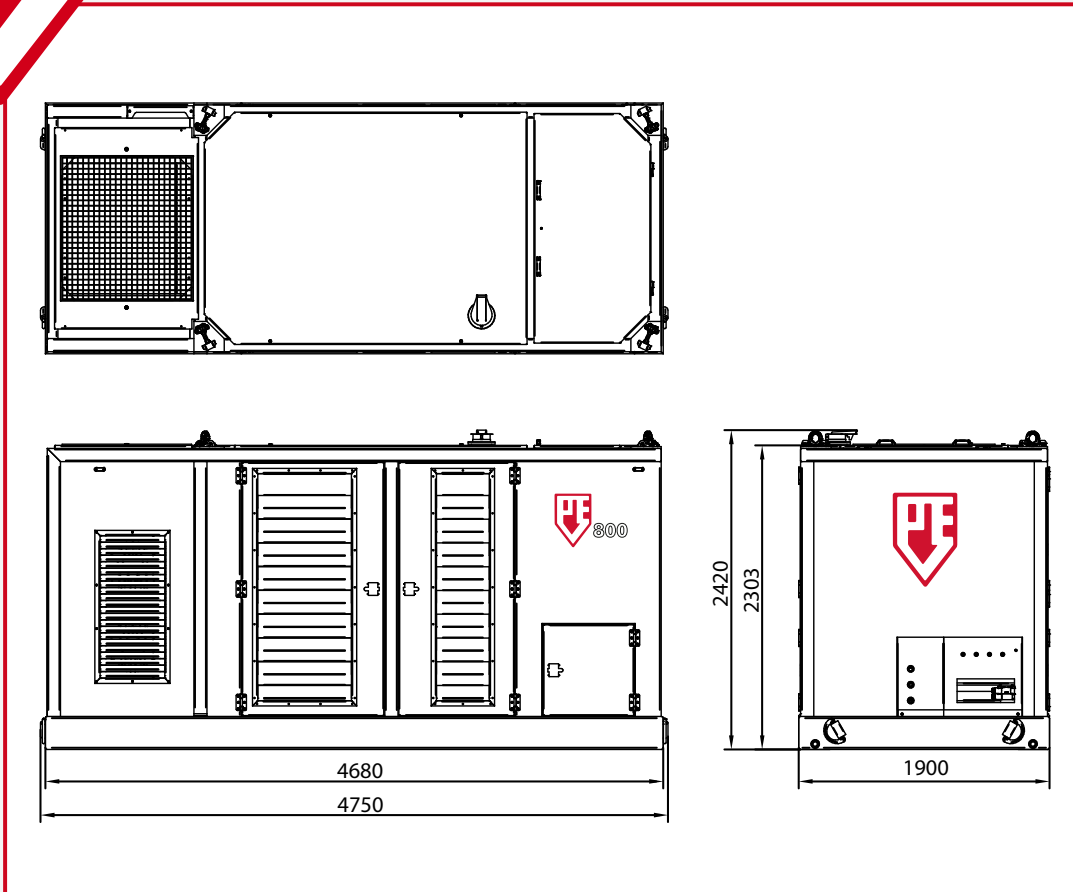
PVE 40 VM Vibrohammer



Specifications	40VM		
Eccentric moment	0-40	kgm	
Max. centrifugal force	0-1755	kN	
Max. frequency	2000	rpm	
Max. amplitude excluding DWK 350T	19	mm	
Max. amplitude including DWK 350T	11.6	mm	
Max. static line-pull	400	kN	
Max. operating pressure	350	bar	
Max. oil flow	800	l/min	
Forced lubrication	yes		
Dynamic weight excluding DWK 350T	4300	kg	
Dynamic weight including DWK 350T	6900	kg	
Total weight excluding DWK 350T & hoses	6760	kg	
			Clamps:
			Sheet pile clamp
			DWK 350T
			Transport weight per piece
			2600 kg
			Double clamps
			PPK 125T
			Transport weight per piece
			900 kg
			Powerpack:
			Model
			800
			Hose set:
			Length
			45 m
			Transport weight (±)
			1156 kg



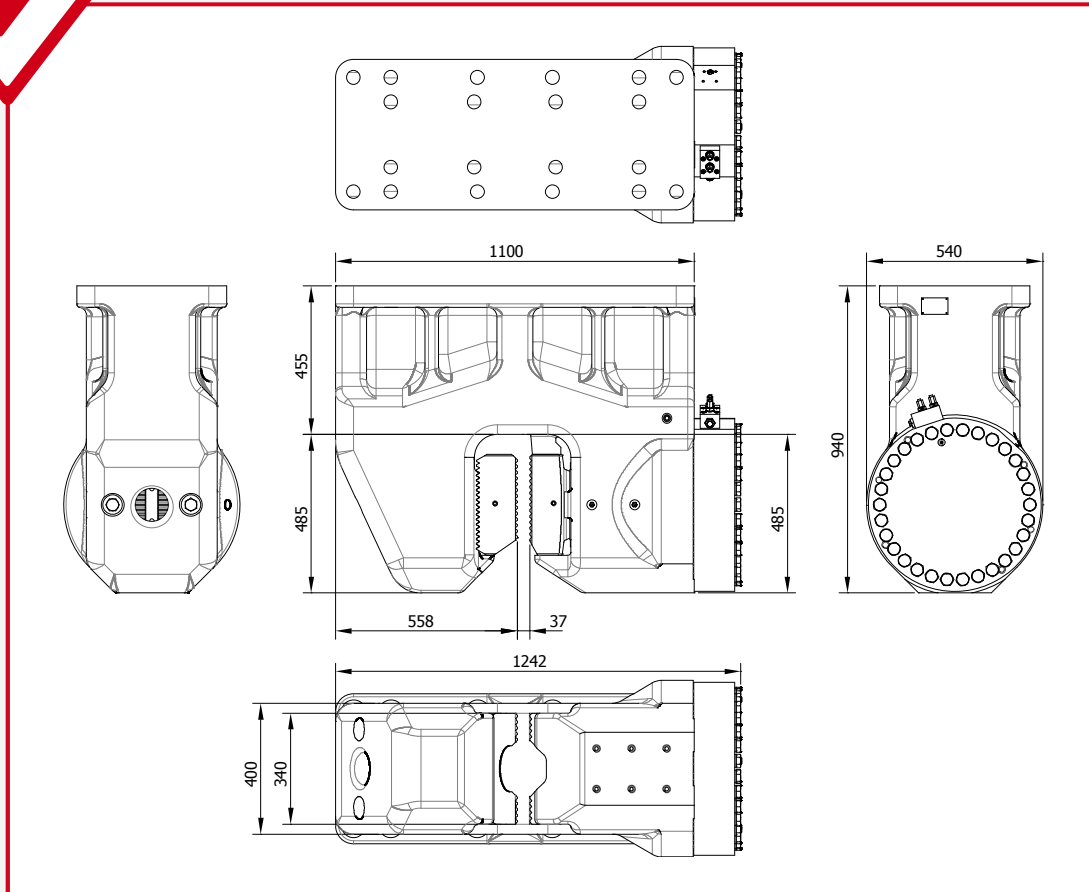
PVE 800 Hydraulic Power Unit



Specifications	800
Diesel engine	Caterpillar C18
Max. theoretical power	563/755 kW/HP
Max. frequency	1800 rpm
Max. operating pressure	240 / 260 /350 bar
Hydraulic pump	Rexroth
Max. oil flow	800 L/min
Diesel oil	755 L
DEF (AdBlue) capacity	- L
Hydraulic oil	1600 L
Weight without fuel	8060 kg
Weight filled up	8700 kg



PVE 350 T Sheet Pile Clamp



Specifications	Technische Daten	Spécifications	Specificaties	Especificacions
Sheet pile clamp	Spundwandzange	Pince palplanches	Damwandklem	Hoja abrazadera pila
Clamping force	3500 kN	Klemmkraft	Force de serrage	Klemkracht
Max. operating press.	320 bar	Max. Betriebsdruck	Pression de travail max.	Fuerza de sujeción
Max. clamp open press.	120 bar	Max. Druck Zange Offen	Pression pince ouvert max.	Max. werkdruk
Weight	2600 kg	Gewicht	Max. klem open druk	Presión abrazadera aperto máx.
		Poids	Gewicht	Peso