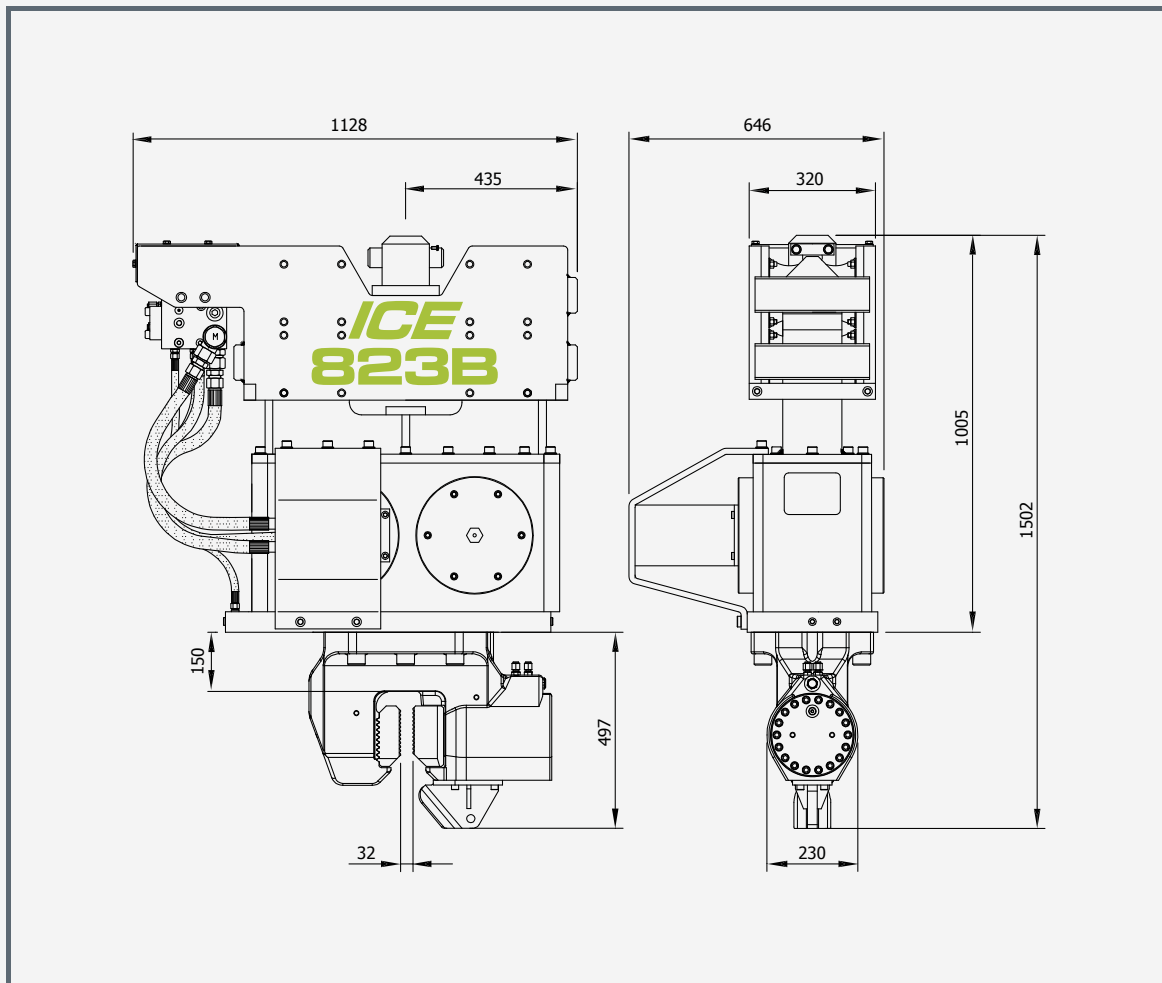


## ICE 823 B Vibratory Hammer



Specifications	823B		Clamps:	
Eccentric moment	8	kgm	Sheet pile clamp	60TU
Max. centrifugal force	464	kN	Transport weight per piece	250 kg
Max. frequency	2300	rpm		
Max. amplitude excluding 60TU	23.2	mm		
Max. amplitude including 60TU	17	mm		
Max. static line-pull	120	kN		
Max. operating pressure	350	bar		
Max. oil flow	214	l/min		
Forced lubrication	no			
Dynamic weight excluding 60TU	690	kg		
Dynamic weight including 60TU	940	kg		
Total weight excluding 60TU & hoses	1060	kg		