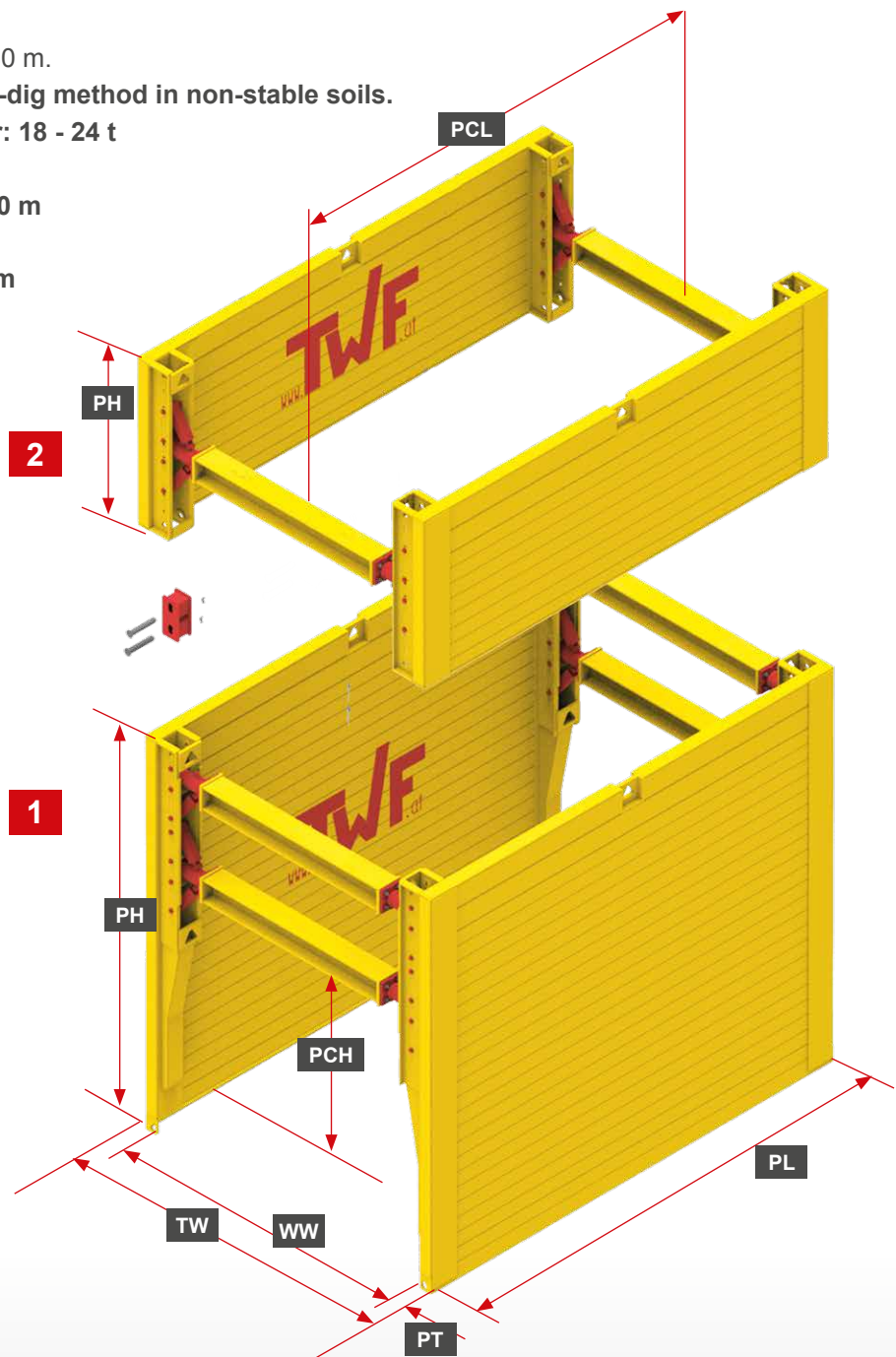


► Trench Shoring Systems

XL-BOX Type 690

- For cost-efficient construction processes with the highest degree of safety and high pipe clearance
For trench depths of up to 5.80 m.
- Installation using push-and-dig method in non-stable soils.
- Mobile or crawler excavator: 18 - 24 t
with top element: 22 - 30 t
- Maximum trench depth: 5.80 m
- Trench width: 0.97– 6.05 m
- Pipe clearance height 2.06 m

1	Base element
2	Top element
PH	Plate height
TW	Trench width
WW	Working width
PT	Plate thickness
PCH	Pipe clearance height
PL	Plate length
PCL	Pipe clearance length





► TWF - XL-Box Type 690

Element	Plate length PL (m)	Plate height PH (m)	Plate thickness PT (mm)	PC-length PCL (m)	PC-height PCH (m)	Char. System resistance R_x (kN/m ²)	Weight c/w spindle (kg/box)
1	2,00	3,15	100	1,60	2,06	40	2204
2		1,32					1102
1	2,50	3,15	100	2,10	2,06	40	2470
2		1,32					1248
1	2,90	3,15	100	2,50	2,06	40	2682
2		1,32					1364
1	3,40	3,15	100	3,00	2,06	40	2948
2		1,32					1508
1	3,70	3,15	100	3,30	2,06	40	3108
2		1,32					1596

► Sonderlängen auf Anfrage!

Strut extensions HEB 180

- Strut extension lengths:
0,275 | 0,550 | 1,100 | 1,650 | 2,200 m
Customised lengths on request

