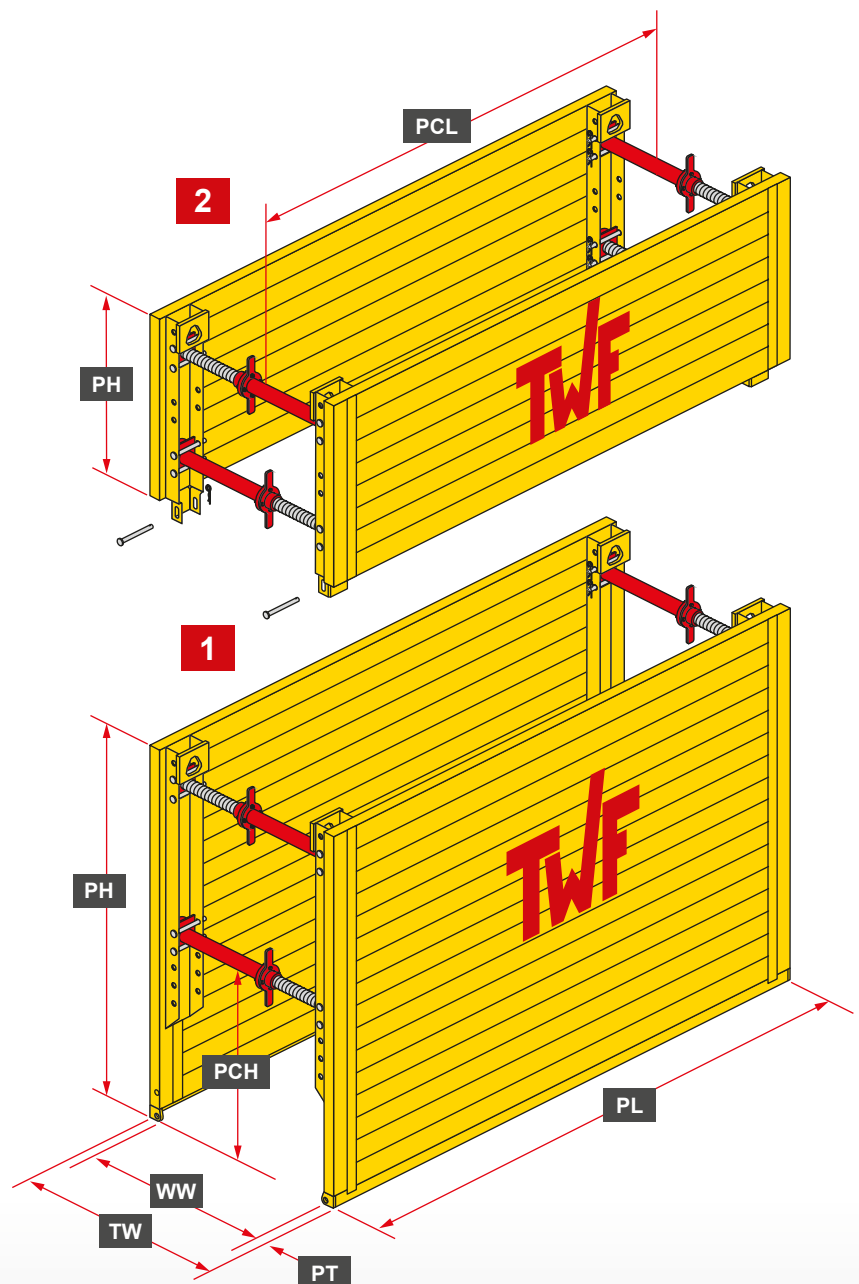


## ► Trench Shoring Systems

### | Light Weight Shoring Type 100 |

- For **small to medium-sized construction projects** (utility lines, house connections etc.)
- Installation with **place and adjust method** in stable soils
- Mobile excavator: **9 - 13 t**
- Maximum trench depth: **3,00 m**
- Trench width: **0,66 - 2,23 m**
- Pipe clearance height: **0,94 m**



1	Base element
2	Top element
PH	Plate height
TW	Trench width
WW	Working width
PT	Plate thickness
PCH	Pipe clearance height
PL	Plate length
PCL	Pipe clearance length



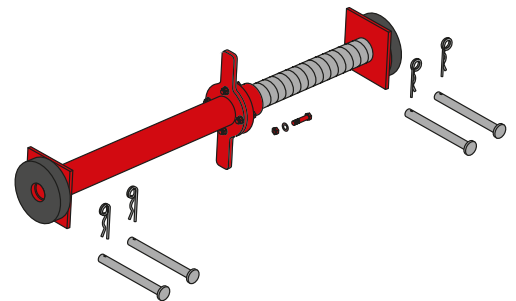
## ► Light Weight Shoring Type 100

Element	Plate length PL (m)	Plate height PH (m)	Plate thickness PT (mm)	PC-length PCL (m)	PC-height PCH (m)	Char. System resistance $R_x$ (kN/m <sup>2</sup> )	Weight c/w strut B (kg/box)
1	2,00	1,60 / 2,00 / 2,40 / 2,60	60	1,60	0,94*	47,8	570 / 674 / 766 / 812
2		0,60 / 1,00					310 / 470
1	2,50	1,60 / 2,00 / 2,40 / 2,60	60	2,10	0,94*	38,3	634 / 774 / 914 / 984
2		0,60 / 1,00					370 / 568
1	3,00	1,60 / 2,00 / 2,40 / 2,60	60	2,60	0,94*	31,9	736 / 904 / 1068 / 1150
2		0,60 / 1,00					430 / 536
1	3,50	1,60 / 2,00 / 2,40 / 2,60	60	3,10	0,94*	27,3	830 / 1040 / 1200 / 1280
2		0,60 / 1,00					490 / 592

\* PH: 1,60 m / 2,00 m

## Light Weight Spindle

Type	Working width WW (m)		Trench width TW (m)		Safe working load (kN)	Weight complete (kg)
	min.	max.	min.	max.		
A	0,53	0,73	0,66	0,86	160	13,2
B	0,71	1,07	0,84	1,20	147	16,0
C	1,05	1,65	1,18	1,78	124	19,5
D	1,50	2,10	1,63	2,23	107	22,5



## Telescopic Strut

Type	Working width WW (m)		Trench width TW (m)		Safe working load (kN)	Weight complete (kg)
	min.	max.	min.	max.		
0	0,57	0,77	0,70	0,90	169	9,5
1	0,82	1,29	0,95	1,42	159	15,0
2	1,34	1,80	1,47	1,93	149	20,5
3	1,85	2,32	1,98	2,45	132	26,0
4	2,37	2,83	2,50	2,96	103	31,5



► **Telescopic Strut**  
optional for Type 100  
for working widths  
from 570 mm to 2830 mm