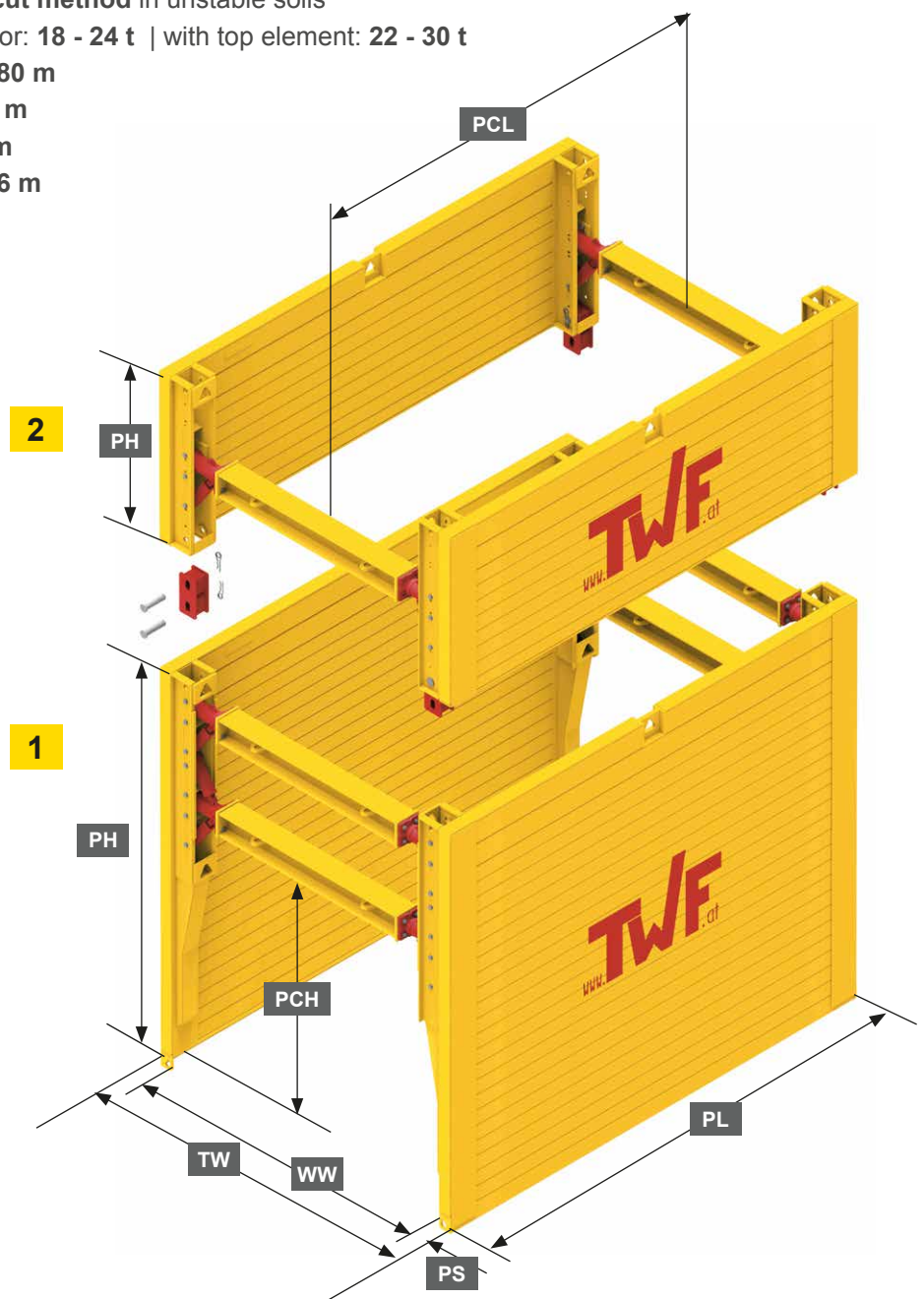


► TWF Trench Shoring Systems

■ XL-BOX Type 690

- Cost-efficient construction processes with the highest degree of safety and high pipe clearance at trench depths up to **5,80 m**.
- Installation by **lower and cut method** in unstable soils
- Mobile- or crawler excavator: **18 - 24 t** | with top element: **22 - 30 t**
- Maximum trench depth: **5,80 m**
- Working width: **0,78 - 5,62 m**
- Trench width: **0,99 - 5,83 m**
- Pipe clearance height: **2,06 m**



1	Base element
2	Top element

PH	Panel height
TW	Trench width
WW	Working width
PT	Panel thickness
PCH	Pipe clearance height
PL	Panel length
PCL	Pipe clearance length

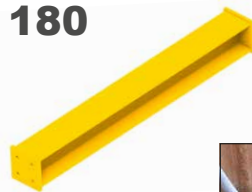
► XL-BOX Type 690

Element	Panel length PL (m)	Panel height PH (m)	Panel thickness PT (mm)	PC-length PCL (m)	PC-height PCH (m)	Char. system resistance R_k (kN/m ²)	Weight c/w spindle (kg/box)
1	2,00	3,15	100	1,60	2,06	88	2204
2		1,32					1102
1	2,50	3,15	100	2,10	2,06	75	2470
2		1,32					1248
1	2,90	3,15	100	2,50	2,06	68	2682
2		1,32					1364
1	3,40	3,15	100	3,00	2,06	48	2948
2		1,32					1508
1	3,70	3,15	100	3,30	2,06	40	3108
2		1,32					1596
1	4,00	3,15	100	3,60	2,06	34	3350
2		1,32					1676

► Other lengths on request!

■ Strut Extensions HEB 180

- Strut extension lengths:
0,275 | 0,550 | 1,100 | 1,650 | 2,200 m
Customised lengths on request



Number Strut-Extensions	Working width WW (m)	Trench width TW (m)	Weight complete (kg)
0	0,78 - 1,22	0,99 - 1,43	-
1	1,33 - 1,77	1,54 - 1,98	40
2	1,88 - 2,32	2,09 - 2,53	68
3	2,43 - 2,87	2,64 - 3,08	96
4	2,98 - 3,42	3,19 - 3,63	124
5	3,53 - 3,97	3,74 - 4,18	152
6	4,08 - 4,52	4,29 - 4,73	180
7	4,63 - 5,07	4,84 - 5,28	208
8	5,18 - 5,62	5,39 - 5,83	236

