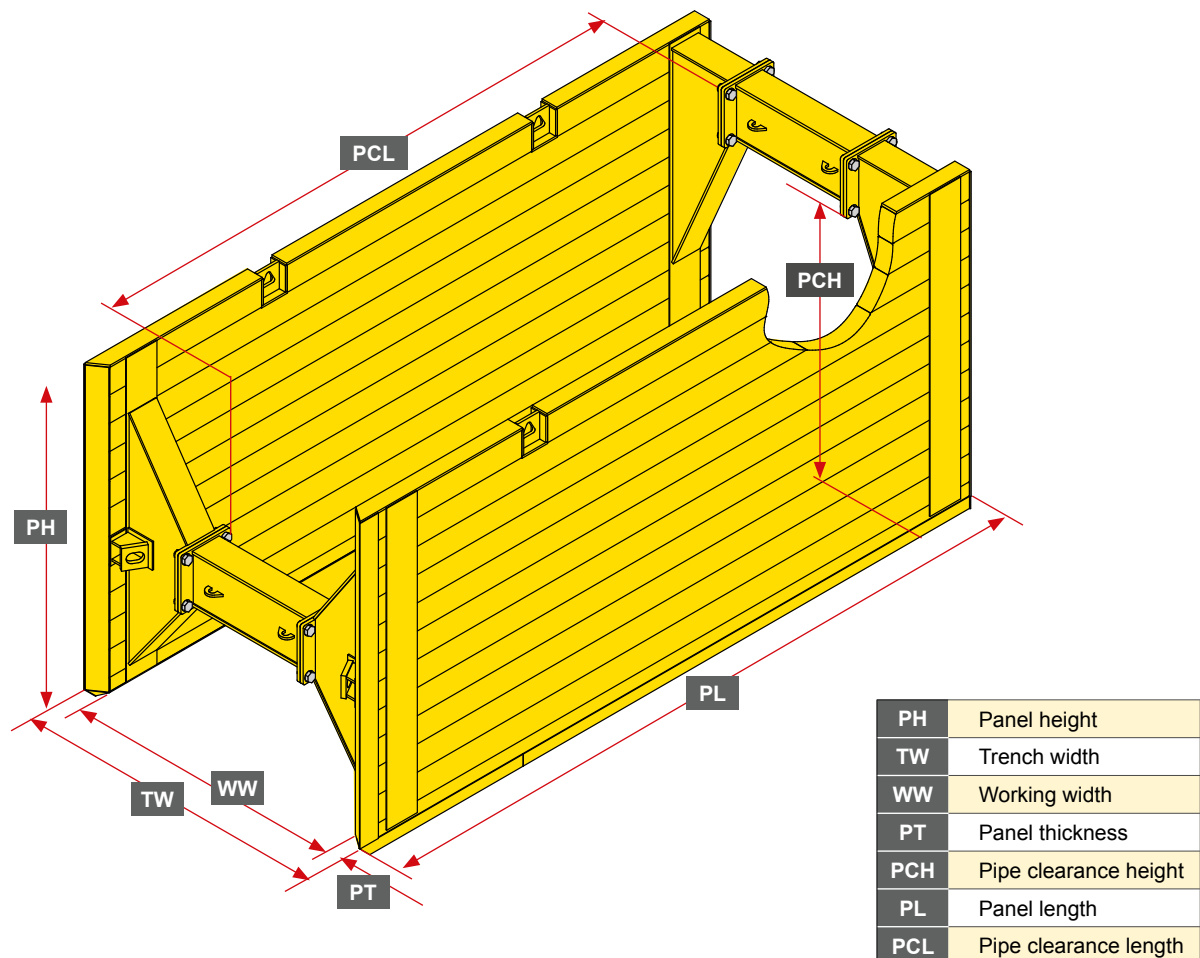


## ► TWF - Drag Box Type 650

### ■ System illustration

#### Technical description

- To be used for **underground pipeline construction** in stable soils
- **Secures** only a small section for the laying of the pipes
- The **front and back ends** remain unshored and must be **sloped**
- Tracked excavator: **30 - 50 t**
- Maximum trench depth: **2.40 m**
- Trench width: **1.26– 2.26 m**
- Pipe clearance height: **1.57 m**



## ► TWF - Drag Box Type 650

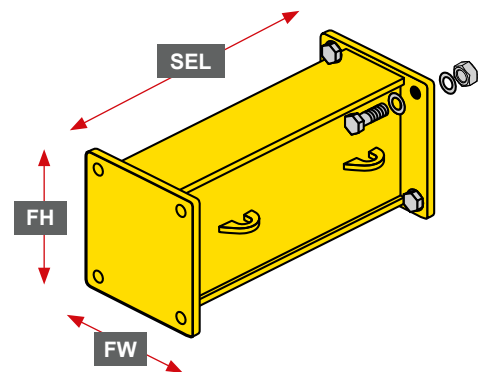
Plate length PL (m)	Plate height PH (m)	Plate thickness PT (mm)	PC length PCL (m)	PC height PCH (m)	Char. system resistance R (kN/m <sup>2</sup> )	Weight per box without strut extension (kg/box)
4.00	2.40	120	2.99	1.57	59	2887
4.50	2.40	120	3.49	1.57	51	3123
5.00	2.40	120	3.99	1.57	44	3363
5.50	2.40	120	4.49	1.57	36	3603

\* The characteristic system resistance refers to the specified PC heights

► Customised lengths and heights are available on request!

## ■ Strut extension

Strut extension length SEL (m)	Weight (kg) with 420 x 405 flange	Working width WW (m)	Trench width TW (m)
-	-	1.01	1.26
0.25	90	1.26	1.51
0.50	122	1.51	1.76
0.75	157	1.76	2.01
1.00	189	2.01	2.26
2.00	315	3.01	3.26



Bezeichnung	Verwendung für	Maße (mm)	Gewicht Kg / Stk.
Bolt	Flange	M30 x 90	0.96
Nut	Flange	M30	0.24
Washer	Flange	A31	0.05

SEL	Strut extension length
FH	Flange height
FW	Flange width